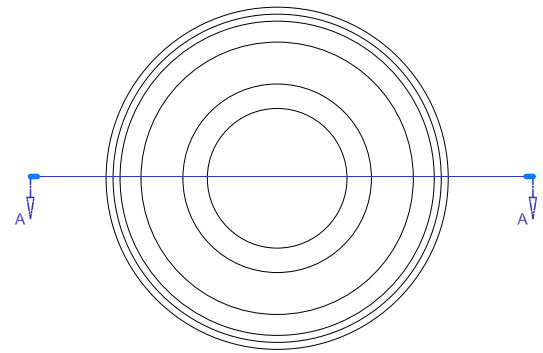


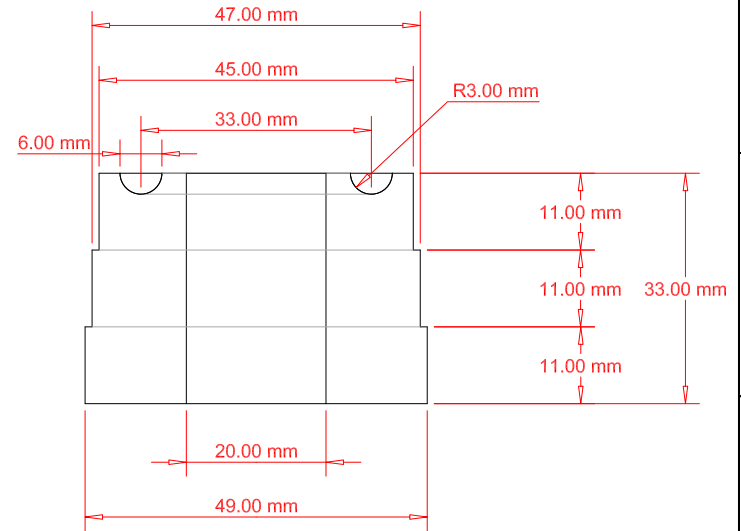
NOTES:

1. MATERIAL: POLYURETHANE SHORE A 70
2. COLOUR: YELLOW
3. ALL DIMENSIONS AS FINISHED PART
4. VOLUME: 45488 mm<sup>3</sup>
- WEIGHT: 53 grams

TOP VIEW



SECTION A:A



0	ORIGINAL ISSUE	P.S.		03/08/10
No.	REVISION	BY	CHKD	DATE
1				

MACHINING, WELDING & FABRICATION TOLERANCES UNLESS NOTED OTHERWISE (ALL DIMENSIONS IN MILLIMETRES)  
HOLE CENTRES  $\pm 0.2$   
WELDING PROCESS TYPE - TIG  
TOLERANCES - UNLESS NOTED  
MACHINED SURFACES 0.2

INTEGER (X)	$\pm 0.3$
1-DECIMAL (.X)	$\pm 0.1$
2-DECIMAL (.XX)	$\pm 0.05$
ANGULAR	$\pm 0.5$

DESCRIPTION  
**UNIVERSAL BUMPSTOP**

© COPYRIGHT. ALL RIGHTS RESERVED  
THIS DRAWING IS STRICTLY CONFIDENTIAL AND MUST NOT BE COPIED, REPRODUCED OR ADAPTED. NOR MAY ARTICLES BE MANUFACTURED IN ACCORDANCE WITH THE DRAWING WITHOUT PRIOR WRITTEN PERMISSION OF POWERFLEX.

MATERIAL  
**POLYURETHANE SHORE A 70**

DRAWING No.  
**BS001**

REV  
**0**